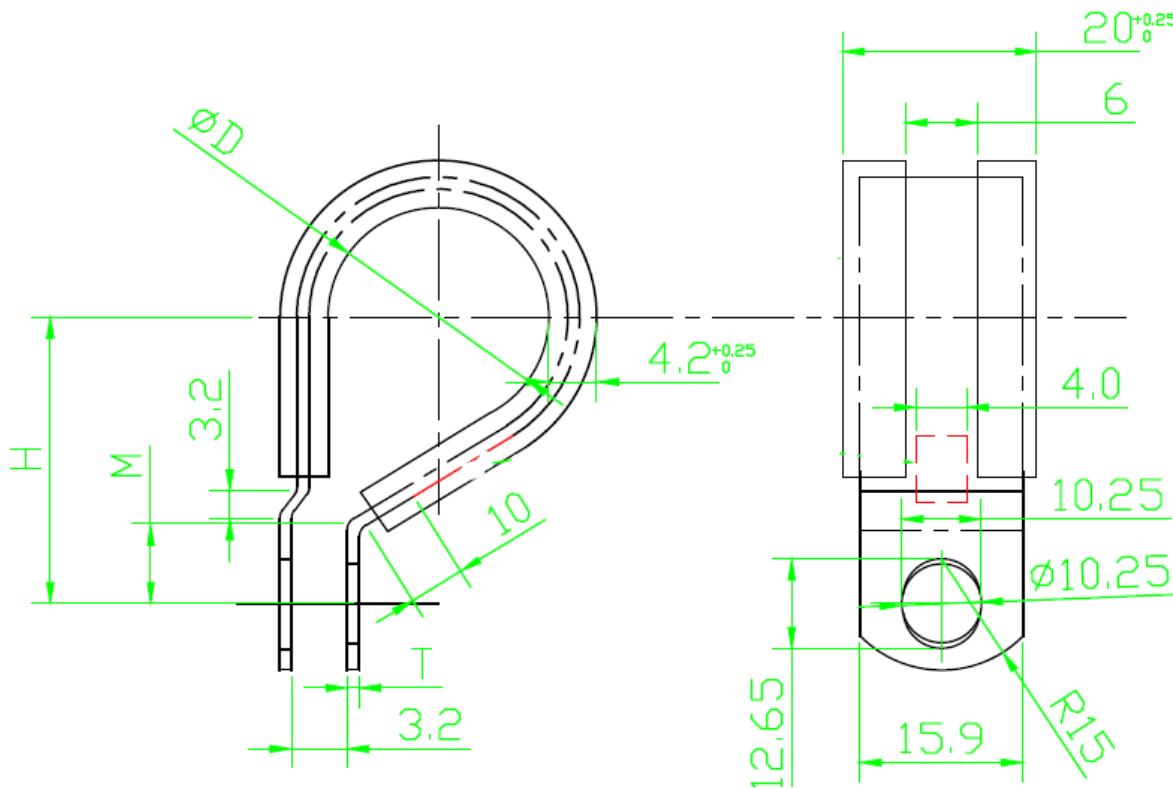



P/N	Nominal Size*	SAE Size	Dimension			
			D	H	M	T
200403	1/4"	4	6.35	18.00	10.30	0.80
200603	3/8"	6	9.53	18.07	10.27	0.80
200803	1/2"	8	12.70	20.50	10.34	0.80
201003	5/8"	10	15.88	21.02	10.08	0.80
201203	3/4"	12	19.05	24.28	9.98	0.80
201403	7/8"	14	22.23	26.72	10.22	0.80
201603	1"	16	25.40	29.36	9.91	0.80
201803	1-1/8"	18	28.58	32.39	10.43	0.80
202003	1-1/4"	20	31.75	32.54	10.48	0.80
202203	1-3/8"	22	34.93	34.75	10.43	0.80
202403	1-1/2"	24	38.10	36.08	10.50	0.80
202603	1-5/8"	26	41.28	37.65	10.10	0.80
202803	1-3/4"	28	44.45	40.22	10.23	0.80
203003	1-7/8"	30	47.63	42.46	10.29	0.80
203203	2"	32	50.80	43.91	10.44	1.00
204003	2-1/2"	40	63.50	45.32	10.32	1.00
204803	3"	48	76.20	46.92	10.43	1.00
205003	3-1/2"	54	88.90	48.43	10.31	1.00



*Part not drawn to scale.
 ¥Uncontrolled Copy

Rev.
A

		DESCRIPTION
Clamp Material	Carbon Steel	
Cushion Material	EPDM Rubber	
Mounting Hole	13/32" for 3/8" screw or bolt	
Band Width	5/8"	
*Furnished in the "open" position.		
Carbon Steel Loom Clamp, 5/8" Width		
DATE:	PART #:	
3/17/2020	See Chart	